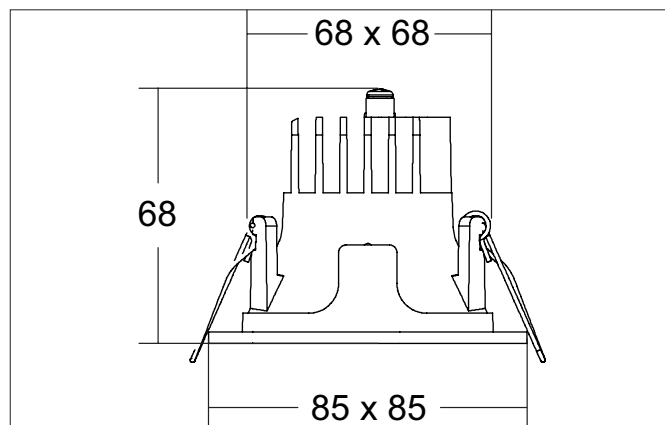


APOLLO MICRO LED downlight, square, DALI

Article no. 41641163DA

Light.
For Generations.**Tender**

LED downlight, square, DALI, Square. Toolless ceiling installation by installation springs. Ceiling cut-out L x W 68 x 68 mm, Installation depth 68 mm, Length 85 mm, Width 85 mm, Weight 0,200 kg, Reflector silver with rotationssymmetrical, deep, wide distributed light intensity. optimal light distribution due to a plastic, transparent cover. Luminous flux 774 lm, Power 1 x 6,4 W, Light colour warm white, Correlated color temperature (CCT) 3.000 K, Colour rendering index CRI > 90, Rated life time L80/B10 at 25 °C: 50.000 h, Rated life time L80/B50 at 25 °C: 50.000 h, Housing material: Aluminium / Glass / Plastic, Colour: Silver structure, Permissible ambient temperature (ta): -20 °C - +25 °C, Protection class (EN 61140): II, Degree of protection (DIN EN 60529): IP20, .With electronic driver, DALI dimmable.

| Article data | |
|--------------------|-----------------------------|
| Article no. | 41641163DA |
| GTIN | 4251433989042 |
| Series name | APOLLO MICRO |
| Short description | LED downlight, square, DALI |
| Material | Aluminium / Glass / Plastic |
| Colour | Silver |
| Type of surface | Structure |
| Shape | Square |
| Built-in width | 68 mm |
| Built-in length | 68 mm |
| Installation depth | 68 mm |
| Length | 85 mm |
| Width | 85 mm |
| Weight | 0.200 kg |

APOLLO MICRO LED downlight, square, DALI

Article no. 41641163DA

Light.
For Generations.

| Lighting technology | |
|------------------------------|-----------|
| Colour temperature | 3.000 K |
| Light colour | White |
| Light output | Direct |
| Luminous flux | 774 lm |
| System efficiency | 121 lm/W |
| Colour rendering | CRI > 90 |
| Reflector | Faceted |
| Reflektorfarbe | silver |
| Beam angle | 55° |
| Light sharing | Symmetric |
| Adjustable color temperature | |

| Operating technology of the luminaire | |
|---------------------------------------|--|
| Voltage type | AC |
| AC nominal voltage max | 230 V |
| Frequenz max. | 50 Hz |
| Lamp | LED |
| Lamp holder | LED |
| Protection class | II |
| Degree of protection | IP20 |
| Control | DALI |
| Bulb change possible | The light source of this luminaire may only be replaced by the manufacturer or a service technician commissioned by him or a similarly qualified person. |
| Rated life time L80/B50 at 25 °C | 50.000 h |

| Mounting technology | |
|-----------------------------|---|
| Mounting method | Recessed mounting |
| Place of installation | Ceiling-mounted |
| Adjustability | Not adjustable |
| Further references | No cover with thermal insulation material |
| Material cover | Plastic, transparent |
| Suitable for through-wiring | No |

| Packing data | |
|-------------------------|---|
| Gross weight | 0.25 kg |
| Length of packaging | 85 mm |
| Packaging width | 85 mm |
| Packaging height | 66 mm |
| Disposal at end of life | This product must not be disposed of with household waste. You are obliged, to dispose of such electrical waste separately. By disposing of electrical waste and other old or defective electronics separately, you support recycling or other forms of re-use. In that way you help to take care and to avoid that harmful substances get into the environment. |

| Accessories | |
|-------------|--|
| | |